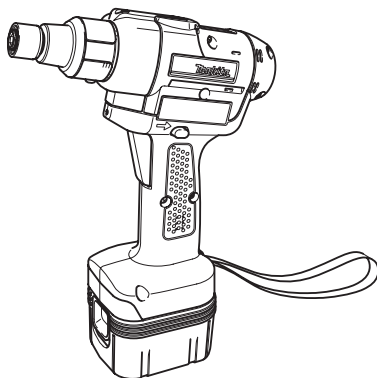


**INSTRUCTION MANUAL  
MANUEL D'INSTRUCTION  
MANUAL DE INSTRUCCIONES**



# **Hazardous Location Cordless Driver Tournevis sans fil pour endroits dangereux Destornillador inalámbrico para lugares peligrosos**

**BFH040  
BFH040F  
BFH090  
BFH090F  
BFH120F**



**IMPORTANT:** Read Before Using.

**IMPORTANT :** Lire avant usage.

**IMPORTANTE:** Lea antes de usar.

# SPECIFICATIONS

Model		BFH040	BFH040F	BFH090	BFH090F	BFH120F
Fastening torque		0.8-4.5 N·m (7-40 in·lbs)		3.4-9 N·m (30-80 in·lbs)		5-12 N·m (44-106 in·lbs)
No load speed (RPM)		400/min				
Dimensions	With battery cartridge BH1220C	190 mm x 250 mm x 71 mm (7-15/32" x 9-7/8" x 2-13/16")				
	With battery cartridge BH1220	190 mm x 266 mm x 71 mm (7-15/32" x 10-15/32" x 2-13/16")				
Net weight	With battery cartridge BH1220C	1.4 kg (3.2 lbs)				
	With battery cartridge BH1220	1.6 kg (3.4 lbs)				
Rated voltage		D.C. 12 V				
Hazardous Location Rating		Class I Division 2 Rated for max 50°C ambient				
Standard battery cartridges		BH1220, BH1220C				

- Due to our continuing programme of research and development, the specifications herein are subject to change without notice.
- Specifications and battery cartridge may differ from country to country.
- Weight, with battery cartridge, according to EPTA-Procedure 01/2003

## General Power Tool Safety Warnings

**⚠ WARNING** Read all safety warnings and all instructions. Failure to follow the warnings and instructions may result in electric shock, fire and/or serious injury.

### Save all warnings and instructions for future reference.

The term "power tool" in the warnings refers to your mains-operated (corded) power tool or battery-operated (cordless) power tool.

#### Work area safety

1. **Keep work area clean and well lit.** Cluttered or dark areas invite accidents.
2. **Keep children and bystanders away while operating a power tool.** Distractions can cause you to lose control.

#### Electrical Safety

3. **Power tool plugs must match the outlet. Never modify the plug in any way. Do not use any adapter plugs with earthed (grounded) power tools.** Unmodified plugs and matching outlets will reduce risk of electric shock.
4. **Avoid body contact with earthed or grounded surfaces such as pipes, radiators, ranges and refrigerators.** There is an increased risk of electric shock if your body is earthed or grounded.
5. **Do not expose power tools to rain or wet conditions.** Water entering a power tool will increase the risk of electric shock.
6. **Do not abuse the cord. Never use the cord for carrying, pulling or unplugging the power tool. Keep cord away from heat, oil, sharp edges or moving parts.** Damaged or entangled cords increase the risk of electric shock.

7. **When operating a power tool outdoors, use an extension cord suitable for outdoor use.** Use of a cord suitable for outdoor use reduces the risk of electric shock.
8. **If operating a power tool in a damp location is unavoidable, use a ground fault circuit interrupter (GFCI) protected supply.** Use of an GFCI reduces the risk of electric shock.

#### Personal Safety

9. **Stay alert, watch what you are doing and use common sense when operating a power tool. Do not use a power tool while you are tired or under the influence of drugs, alcohol or medication.** A moment of inattention while operating power tools may result in serious personal injury.
10. **Use personal protective equipment. Always wear eye protection.** Protective equipment such as dust mask, non-skid safety shoes, hard hat, or hearing protection used for appropriate conditions will reduce personal injuries.
11. **Prevent unintentional starting. Ensure the switch is in the off-position before connecting to power source and/or battery pack, picking up or carrying the tool.** Carrying power tools with your finger on the switch or energising power tools that have the switch on invites accidents.
12. **Remove any adjusting key or wrench before turning the power tool on.** A wrench or a key left attached to a rotating part of the power tool may result in personal injury.
13. **Do not overreach. Keep proper footing and balance at all times.** This enables better control of the power tool in unexpected situations.
14. **Dress properly. Do not wear loose clothing or jewellery. Keep your hair, clothing, and gloves away from moving parts.** Loose clothes, jewellery or long hair can be caught in moving parts.

15. If devices are provided for the connection of dust extraction and collection facilities, ensure these are connected and properly used. Use of dust collection can reduce dust-related hazards.

#### Power tool use and care

16. Do not force the power tool. Use the correct power tool for your application. The correct power tool will do the job better and safer at the rate for which it was designed.
17. Do not use the power tool if the switch does not turn it on and off. Any power tool that cannot be controlled with the switch is dangerous and must be repaired.
18. Disconnect the plug from the power source and/or the battery pack from the power tool before making any adjustments, changing accessories, or storing power tools. Such preventive safety measures reduce the risk of starting the power tool accidentally.
19. Store idle power tools out of the reach of children and do not allow persons unfamiliar with the power tool or these instructions to operate the power tool. Power tools are dangerous in the hands of untrained users.
20. Maintain power tools. Check for misalignment or binding of moving parts, breakage of parts and any other condition that may affect the power tool's operation. If damaged, have the power tool repaired before use. Many accidents are caused by poorly maintained power tools.
21. Keep cutting tools sharp and clean. Properly maintained cutting tools with sharp cutting edges are less likely to bind and are easier to control.
22. Use the power tool, accessories and tool bits etc. in accordance with these instructions, taking into account the working conditions and the work to be performed. Use of the power tool for operations different from those intended could result in a hazardous situation.

#### Battery tool use and care

23. Recharge only with the charger specified by the manufacturer. A charger that is suitable for one type of battery pack may create a risk of fire when used with another battery pack.
24. Use power tools only with specifically designated battery packs. Use of any other battery packs may create a risk of injury and fire.
25. When battery pack is not in use, keep it away from other metal objects, like paper clips, coins, keys, nails, screws or other small metal objects, that can make a connection from one terminal to another. Shorting the battery terminals together may cause burns or a fire.
26. Under abusive conditions, liquid may be ejected from the battery; avoid contact. If contact accidentally occurs, flush with water. If liquid contacts eyes, additionally seek medical help. Liquid ejected from the battery may cause irritation or burns.

#### Service

27. Have your power tool serviced by a qualified repair person using only identical replacement parts. This will ensure that the safety of the power tool is maintained.

28. Follow instruction for lubricating and changing accessories.
29. Keep handles dry, clean and free from oil and grease.

## CORDLESS SCREWDRIVER SAFETY WARNINGS

1. Hold power tool by insulated gripping surfaces, when performing an operation where the fastener may contact hidden wiring. Fasteners contacting a "live" wire may make exposed metal parts of the power tool "live" and could give the operator an electric shock.
2. Always be sure you have a firm footing. Be sure no one is below when using the tool in high locations.
3. Hold the tool firmly.
4. Keep hands away from rotating parts.
5. Do not touch the bit or the workpiece immediately after operation; they may be extremely hot and could burn your skin.

## Cordless Hazardous Location Screwdriver

### INSTRUCTION MANUAL

#### IMPORTANT SAFETY INSTRUCTIONS FOR OPERATING THIS POWER TOOL IN HAZARDOUS LOCATIONS

Underwriters Laboratories Inc (UL) listed for the following: UL 1604 Class I Division 2 Group A~D Hazardous (Classified) Locations defined by National Electrical Code (NEC).

- Class I Division 2 : where ignitable concentrations of flammable gases, vapors or liquids are not likely to exist under normal operating conditions.
- Group A: atmosphere such as "acetylene" , gases or vapor of equivalent hazard
- Group B: atmosphere such as "hydrogen" , gases or vapor of equivalent hazard
- Group C: atmosphere such as "ethylene" , gases or vapor of equivalent hazard
- Group D: atmosphere such as "propane" , gases or vapor of equivalent hazard

THIS EQUIPMENT IS SUITABLE FOR USE IN CLASS I, DIVISION 2, GROUPS A, B, C AND D OR NON-HAZARDOUS LOCATIONS ONLY.

**⚠DANGER:** This tool should only be used as a screwdriver. The use of this tool in any other way may result in the ignition of a flammable atmosphere.

**⚠WARNING:** EXPLOSION HAZARD - SUBSTITUTION OF COMPONENTS MAY IMPAIR SUITABILITY FOR CLASS I, DIVISION 2.

Battery Charger is not in compliance with stated listings (UL1604).  
The use of the battery charger in a Hazardous Location may result in the ignition of a flammable atmosphere and result in serious injury to the user.

Do not operate the charger in explosive atmospheres, such as in the presence of flammable liquids, gases or dust. Chargers create sparks which may ignite the dust or fumes.

## SAVE THESE INSTRUCTIONS.

**⚠WARNING:** DO NOT let comfort or familiarity with product (gained from repeated use) replace strict adherence to safety rules for the subject product. MISUSE or failure to follow the safety rules stated in this instruction manual may cause serious personal injury.

## IMPORTANT SAFETY INSTRUCTIONS

### FOR BATTERY CARTRIDGE

1. Before using battery cartridge, read all instructions and cautionary markings on (1) battery charger, (2) battery, and (3) product using battery.
2. Do not disassemble battery cartridge.
3. If operating time has become excessively shorter, stop operating immediately. It may result in a risk of overheating, possible burns and even an explosion.
4. If electrolyte gets into your eyes, rinse them out with clear water and seek medical attention right away. It may result in loss of your eyesight.
5. Do not short the battery cartridge:
  - (1) Do not touch the terminals with any conductive material.
  - (2) Avoid storing battery cartridge in a container with other metal objects such as nails, coins, etc.
  - (3) Do not expose battery cartridge to water or rain.  
A battery short can cause a large current flow, overheating, possible burns and even a breakdown.
6. Do not store the tool and battery cartridge in locations where the temperature may reach or exceed 50°C (122°F).
7. Do not incinerate the battery cartridge even if it is severely damaged or is completely worn out. The battery cartridge can explode in a fire.
8. Be careful not to drop or strike battery.
9. Do not use dropped or struck battery.

## SAVE THESE INSTRUCTIONS.

### Tips for maintaining maximum battery life

1. Charge the battery cartridge before completely discharged.  
Always stop tool operation and charge the battery cartridge when you notice less tool power.

2. Never recharge a fully charged battery cartridge.  
Overcharging shortens the battery service life.
3. Charge the battery cartridge with room temperature at 10°C - 40°C (50°F - 104°F). Let a hot battery cartridge cool down before charging it.
4. Charge the Nickel Metal Hydride battery cartridge when you do not use it for more than six months.

## Symbols

The followings show the symbols used for tool.

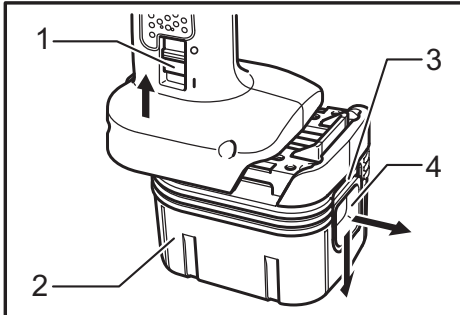
V	volts
— — —	direct current
n <sub>0</sub>	no load speed
... /min r /min	revolutions or reciprocation per minute

# FUNCTIONAL DESCRIPTION

## ⚠ CAUTION:

- Always be sure that the tool is switched off and the battery cartridge is removed before adjusting or checking function on the tool.

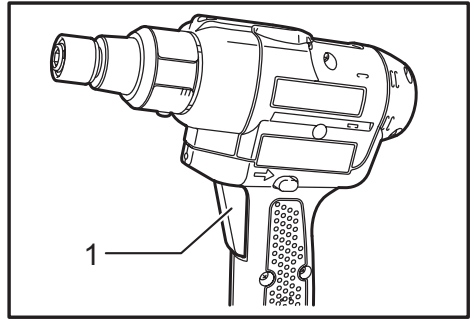
## Installing or removing battery cartridge



- 1. Interlock switch 2. Battery cartridge 3. Red part 4. Button

- Always switch off the tool before insertion or removal of the battery cartridge.
- To remove the battery cartridge, raise the interlock switch and withdraw it from the tool while sliding the button on the front of the cartridge. (Note: Battery cartridge cannot be removed without raising the interlock switch.)
- To insert the battery cartridge, align the tongue on the battery cartridge with the groove in the housing and slip it into place. Always insert it all the way until it locks in place with a little click. If you can see the red part on the upper side of the button, it is not locked completely. Insert it fully until the red part cannot be seen. If not, it may accidentally fall out of the tool, causing injury to you or someone around you.
- Lower the interlock switch after insertion of battery cartridge. Even if the switch trigger is pulled with the interlock switch raised, the tool does not start. (Note: The battery cartridge can be inserted even while the interlock switch is lowered. Once the battery cartridge is inserted, the interlock switch will rise automatically.)
- Do not use force when inserting the battery cartridge. If the cartridge does not slide in easily, it is not being inserted correctly.

## Switch action



- 1. Switch trigger

## ⚠ CAUTION:

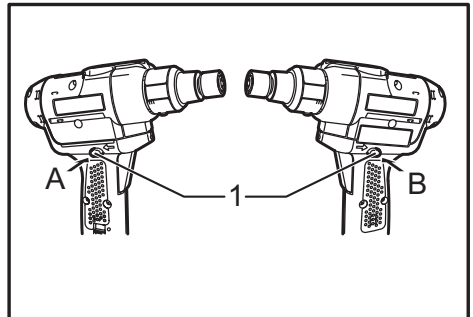
- Before inserting the battery cartridge into the tool, always check to see that the switch trigger actuates properly and returns to the "OFF" position when released.

To start the tool, simply pull the switch trigger. Release the switch trigger to stop.

## Automatic power off

When the switch trigger is kept being pulled for three minutes without driving screws or tightening bolts, the tool automatically stops. To restart the tool, release the switch trigger and then pull it again.

## Reversing switch action



- 1. Reversing switch lever

## ⚠ CAUTION:

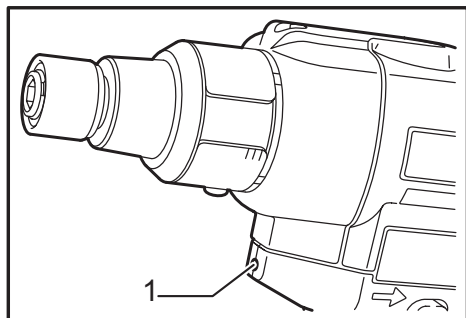
- Always check the direction of rotation before operation.
- Use the reversing switch only after the tool comes to a complete stop. Changing the direction of rotation before the tool stops may damage the tool.
- When not operating the tool, always set the reversing switch lever to the neutral position.

This tool has a reversing switch to change the direction of rotation. Depress the reversing switch lever from the A side for clockwise rotation or from the B side for counterclockwise rotation.

When the reversing switch lever is in the neutral position, the switch trigger cannot be pulled.

## Lighting up the front lamp

For models BFH040F/BFH090F/  
BFH120F only



► 1. Front lamp

### **CAUTION:**

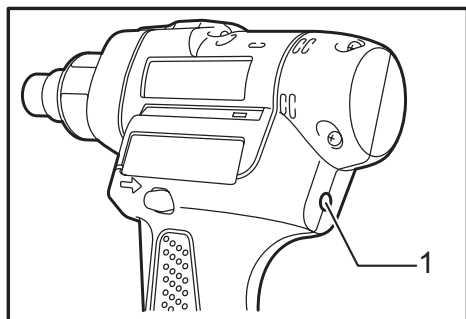
- Do not look in the light or see the source of light directly.

Pull the switch trigger to light up the lamp. The lamp keeps on lighting while the switch trigger is being pulled. The light automatically goes out 10 seconds after the switch trigger is released.

### **NOTE:**

- Use a dry cloth to wipe the dirt off the lens of lamp. Be careful not to scratch the lens of lamp, or it may lower the illumination.

## LED indicator



► 1. LED indicator

LED indicator on the tool shows the following functions.

## For models BFH040F/BFH090F/ BFH120F only

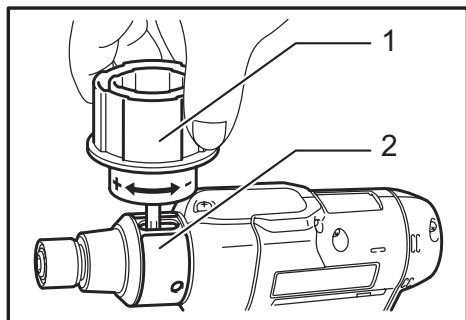
Also, Beeper on the tool shows the following functions.

LED indicator/beeper  
The LED indicator/beeper on the tool shows the following functions.

Function	Status	Status of the LED indicator/beeper		Action to be taken
		LED indicator	Beeper *	
Auto-stop fastening	This function works when the tool has reached the preset fastening torque and normal tightening has been completed. This helps overtightening to be avoided.	Lights up in green for approximately one second.	—	—
Delayed re-start	For approximately one second after auto-stop fastening, the tool does not start even if the switch trigger is pulled.			
Warning against insufficient fastening	Insufficient fastening has been performed when the switch trigger has released before reaching the preset fastening torque.	Lights up in red.	A long beep	Retighten the screw
Warning for battery cartridge capacity	This indicates the appropriate time to replace the battery cartridge when the battery power becomes low.	Flickers in red slowly.	A series of long beeps	Replace the battery with fully charged one
Checking the remaining battery capacity, auto-stop	This function works when the battery power is almost used up. At this time, tool stops immediately.	Lights up in red.	A long beep	Replace the battery with fully charged one
Operation error of the removing battery cartridge	This function operates to indicate that an incorrect battery removal operation is being attempted.	Flickers in green slowly.	A series of long beeps.	Release the switch trigger, raise the interlock switch, and then remove battery cartridge.
Check the LED indicator, front lamp and beeper operation	This function works to check the proper operation of the LED indicator, front lamp and beeper when a battery cartridge has been inserted into the tool and the interlock switch is lowered.	Light up first in green, next red(And then the front lamp comes on.*)	A series of very short beeps	—
Anti-reset of controller	This function works when an abnormal drop of the battery voltage occurs for some reason, and the tool stops.	Flickers in red and green alternatively.	A series of short beeps	Replace the battery with fully charged one
Overheat	This function works if the temperature of the controller or motor increases to a high level and the tool stops.	Flickers in red quickly.	A series of short beeps	Remove the battery cartridge immediately and cool the tool down.
Motor malfunction	This indicates the abnormal condition of the motor. The tool does not operate.	Flickers in red and green alternatively.	A series of short beeps	Ask Makita service centers.
Interlock switch malfunction	This indicates abnormality of interlock switch when the battery cartridge has been inserted. The tool does not function.	Flickers in red and green alternatively.	A series of short beeps	Ask Makita service centers.

\* For models BFH040F/BFH090F/BFH120F only

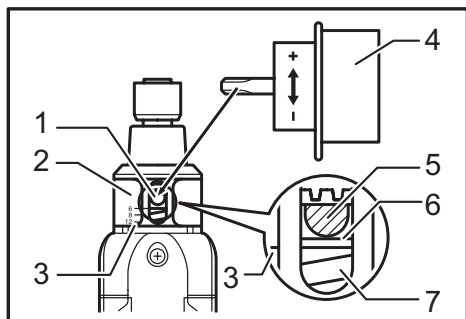
## Adjusting the fastening torque



► 1. Adjusting ring 2. Ring

When you wish to drive machine screws, wood screws, hex bolts, etc. with the predetermined torque, adjusting the fastening torque as follows.

1. First remove the battery cartridge from the tool.
2. Loosen and remove the screw that secures ring.
3. Rotate the ring in the front of the tool by hand so that a hole can be seen below the ring.
4. Place the battery cartridge in place and pull the switch trigger. Release it so that the adjusting ring rotates and becomes visible in the hole. And then remove the battery cartridge.
5. Use an optional adjusting grip to adjust the fastening torque. Insert the pin of the adjusting grip into the hole in the front of the tool. And then, turn the adjusting grip clockwise to set a greater fastening torque, and counterclockwise to set a smaller fastening torque.



► 1. Adjusting ring 2. Ring 3. Scale 4. Adjust grip  
5. Hole for adjust grip 6. Yellow line 7. Compression spring

6. Align the yellow line with your desired number on the fastening torque scale.
7. Insert the battery cartridge and be sure that a fastening torque has been set up by using a fastening torque tester.
8. Rotate the ring so that the hole for adjusting grip is covered, hold and then secure the ring with screw.

### NOTE:

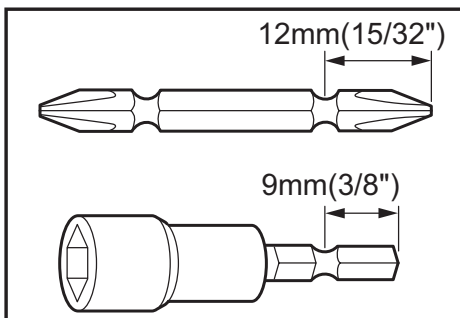
- Numbers on the fastening torque scale is a guideline to set up your desired fastening torque.

## ASSEMBLY

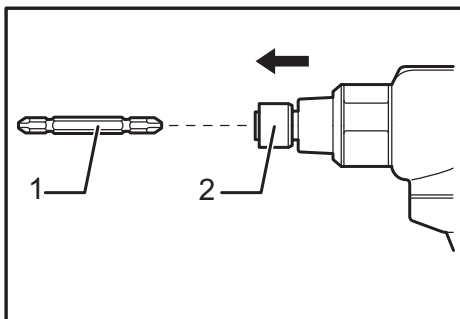
### CAUTION:

- Always be sure that the tool is switched off and the battery cartridge is removed before carrying out any work on the tool.

## Installing or removing driver bit or socket bit



Use only the driver bit or socket bit shown in the figure. Do not use any other driver bit or socket bit. To install the bit, pull the sleeve in the direction of the arrow and insert the bit into the sleeve as far as it will go. Then release the sleeve to secure the bit.



► 1. Bit 2. Sleeve

To remove the bit, pull the sleeve in the direction of the arrow and pull the bit out firmly.

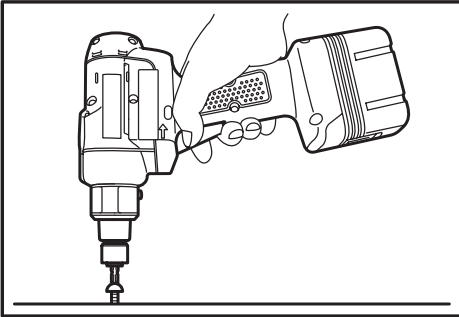
### NOTE:

- If the bit is not inserted deep enough into the sleeve, the sleeve will not return to its original position and the bit will not be secured. In this case, try re-inserting the bit according to the instructions above.



# OPERATION

## Screwdriving operation



Place the point of the driver bit in the screw head and apply pressure to the tool. Then switch the tool on. When the clutch cuts in, the motor will stop automatically. Then release the switch trigger.

### NOTE:

- Make sure that the driver bit is inserted straight in the screw head, or the screw and/or bit may be damaged.

# MAINTENANCE

### ⚠ CAUTION:

- Always be sure that the tool is switched off and the battery cartridge is removed before attempting to perform inspection or maintenance.
- Never use gasoline, benzene, thinner, alcohol or the like. Discoloration, deformation or cracks may result.

To maintain product SAFETY and RELIABILITY, repairs, any other maintenance or adjustment should be performed by Makita Authorized or Service Centers, always using Makita replacement parts.

# OPTIONAL ACCESSORIES

### ⚠ CAUTION:

- These accessories or attachments are recommended for use with your Makita tool specified in this manual. The use of any other accessories or attachments might present a risk of injury to persons. Only use accessory or attachment for its stated purpose.

If you need any assistance for more details regarding these accessories, ask your local Makita Service Center.

- Automatic refreshing adapter
- Adjusting grip
- Various type of Makita genuine batteries and chargers

### NOTE:

- Some items in the list may be included in the tool package as standard accessories. They may differ from country to country.

## MAKITA LIMITED ONE YEAR WARRANTY

### Warranty Policy

Every Makita tool is thoroughly inspected and tested before leaving the factory. It is warranted to be free of defects from workmanship and materials for the period of ONE YEAR from the date of original purchase. Should any trouble develop during this one year period, return the COMPLETE tool, freight prepaid, to one of Makita's Factory or Authorized Service Centers. If inspection shows the trouble is caused by defective workmanship or material, Makita will repair (or at our option, replace) without charge.

This Warranty does not apply where:

- repairs have been made or attempted by others;
- repairs are required because of normal wear and tear;
- the tool has been abused, misused or improperly maintained;
- alterations have been made to the tool.

IN NO EVENT SHALL MAKITA BE LIABLE FOR ANY INDIRECT, INCIDENTAL OR CONSEQUENTIAL DAMAGES FROM THE SALE OR USE OF THE PRODUCT. THIS DISCLAIMER APPLIES BOTH DURING AND AFTER THE TERM OF THIS WARRANTY.

MAKITA DISCLAIMS LIABILITY FOR ANY IMPLIED WARRANTIES, INCLUDING IMPLIED WARRANTIES OF "MERCHANTABILITY" AND "FITNESS FOR A SPECIFIC PURPOSE," AFTER THE ONE YEAR TERM OF THIS WARRANTY.

This Warranty gives you specific legal rights, and you may also have other rights which vary from state to state. Some states do not allow the exclusion or limitation of incidental or consequential damages, so the above limitation or exclusion may not apply to you. Some states do not allow limitation on how long an implied warranty lasts, so the above limitation may not apply to you.

# MAKITA LIMITED ONE YEAR WARRANTY

## Warranty Policy

Every Makita tool is thoroughly inspected and tested before leaving the factory. It is warranted to be free of defects from workmanship and materials for the period of ONE YEAR from the date of original purchase.

Should any trouble develop during this one year period, return the COMPLETE tool, freight prepaid, to one of Makita's Factory or Authorized Service Centers. If inspection shows the trouble is caused by defective workmanship or material, Makita will repair (or at our option, replace) without charge.

This Warranty does not apply where:

- repairs have been made or attempted by others:
- repairs are required because of normal wear and tear:
- the tool has been abused, misused or improperly maintained:
- alterations have been made to the tool.

IN NO EVENT SHALL MAKITA BE LIABLE FOR ANY INDIRECT, INCIDENTAL OR CONSEQUENTIAL DAMAGES FROM THE SALE OR USE OF THE PRODUCT. THIS DISCLAIMER APPLIES BOTH DURING AND AFTER THE TERM OF THIS WARRANTY.

MAKITA DISCLAIMS LIABILITY FOR ANY IMPLIED WARRANTIES, INCLUDING IMPLIED WARRANTIES OF "MERCHANTABILITY" AND "FITNESS FOR A SPECIFIC PURPOSE," AFTER THE ONE YEAR TERM OF THIS WARRANTY.

This Warranty gives you specific legal rights, and you may also have other rights which vary from state to state. Some states do not allow the exclusion or limitation of incidental or consequential damages, so the above limitation or exclusion may not apply to you. Some states do not allow limitation on how long an implied warranty lasts, so the above limitation may not apply to you.

# SPÉCIFICATIONS

Modèle		BFH040	BFH040F	BFH090	BFH090F	BFH120F
Couple de serrage		0,8-4,5 N·m (7-40 in·lbs)		3,4-9 N·m (30-80 in·lbs)		5-12 N·m (44-106 in·lbs)
Vitesse à vide (T/MIN)		400 /min				
Dimensions	Avec la batterie BH1220C	190 mm x 250 mm x 71 mm (7-15/32" x 9-7/8" x 2-13/16")				
	Avec la batterie BH1220	190 mm x 266 mm x 71 mm (7-15/32" x 10-15/32" x 2-13/16")				
Poids net	Avec la batterie BH1220C	1,4 kg (3,2 lbs)				
	Avec la batterie BH1220	1,6 kg (3,4 lbs)				
Tension nominale		C.C. 12 V				
Homologation pour endroits dangereux		Classe I, Division 2 - pour température ambiante maximale de 50°C				
Batteries standard		BH1220, BH1220C				

• Étant donné l'évolution constante de notre programme de recherche et de développement, les spécifications contenues dans ce manuel sont sujettes à modification sans préavis.

• Les caractéristiques techniques et la batterie peuvent varier suivant les pays.

• Poids, batterie comprise, conforme à la procédure EPTA de 01/2003

## Consignes de sécurité générales pour outils électriques

**⚠ MISE EN GARDE** Veuillez lire toutes les mises en garde de sécurité et toutes les instructions.

L'ignorance des mises en garde et des instructions comporte un risque de choc électrique, d'incendie et/ou de blessure grave.

## Conservez toutes les mises en garde et instructions pour référence future.

Le terme « outil électrique » qui figure dans les avertissements fait référence à un outil électrique branché sur une prise de courant (par un cordon d'alimentation) ou alimenté par batterie (sans fil).

### Sécurité de la zone de travail

1. **Maintenez la zone de travail propre et bien éclairée.** Les zones de travail encombrées ou sombres ouvrent grande la porte aux accidents.
2. **Assurez-vous qu'aucun enfant ou curieux ne s'approche pendant que vous utilisez un outil électrique.** Vous risquez de perdre la maîtrise de l'outil si votre attention est détournée.

### Sécurité en matière d'électricité

3. **Les fiches d'outil électrique sont conçues pour s'adapter parfaitement aux prises de courant. Ne modifiez jamais la fiche de quelque façon que ce soit. N'utilisez aucun adaptateur de fiche sur les outils électriques avec mise à la terre.** En ne modifiant pas les fiches et en les insérant dans des prises de courant pour lesquelles elles ont été conçues vous réduirez les risques de choc électrique.

4. **Évitez tout contact corporel avec les surfaces mises à la terre, telles que les tuyaux, radiateurs, cuisinières et réfrigérateurs.** Le risque de choc électrique est plus élevé si votre corps se trouve mis à la terre.
5. **N'exposez pas les outils électriques à la pluie ou à l'eau.** La présence d'eau dans un outil électrique augmente le risque de choc électrique.
6. **Ne maltraitez pas le cordon. N'utilisez jamais le cordon pour transporter, tirer ou débrancher l'outil électrique. Maintenez le cordon à l'écart des sources de chaleur, de l'huile, des objets à bords tranchants et des pièces en mouvement.** Le risque de choc électrique est plus élevé lorsque les cordons sont endommagés ou enchevêtrés.
7. **Lorsque vous utilisez un outil électrique à l'extérieur, utilisez un cordon prolongateur prévu à cette fin.** Les risques de choc électrique sont moindres lorsqu'un cordon conçu pour l'extérieur est utilisé.
8. **Si vous devez utiliser un outil électrique dans un endroit humide, utilisez une source d'alimentation protégée par un disjoncteur de fuite à la terre.** L'utilisation d'un disjoncteur de fuite à la terre réduit le risque de choc électrique.

### Sécurité personnelle

9. **Restez alerte, attentif à vos mouvements et faites preuve de bon sens lorsque vous utilisez un outil électrique. Évitez d'utiliser un outil électrique si vous êtes fatigué ou si vous avez pris une drogue, de l'alcool ou un médicament.** Un moment d'inattention pendant l'utilisation d'un outil électrique peut entraîner une grave blessure.
10. **Portez des dispositifs de protection personnelle. Portez toujours un protecteur pour la vue.** Les risques de blessure seront moins élevés si vous utilisez des dispositifs de protection tels qu'un masque antipoussières, des chaussures à semelle antidérapante, une coiffure résistante ou une protection d'oreilles.

11. **Évitez les démarrages accidentels. Assurez-vous que l'interrupteur soit en position d'arrêt avant de brancher l'outil à la prise électrique et/ou au bloc-piles, avant de prendre ou de transporter l'outil.** Vous ouvrez la porte aux accidents si vous transportez les outils électriques avec le doigt sur l'interrupteur ou si vous les branchez alors que l'interrupteur est en position de marche.
12. **Retirez toute clé de réglage ou de serrage avant de mettre l'outil sous tension.** Toute clé laissée en place sur une pièce rotative de l'outil électrique peut entraîner une blessure.
13. **Maintenez une bonne position. Assurez-vous d'une bonne prise au sol et d'une bonne position d'équilibre en tout temps.** Cela vous permettra d'avoir une meilleure maîtrise de l'outil dans les situations imprévues.
14. **Portez des vêtements adéquats. Ne portez ni vêtements amples ni bijoux. Vous devez maintenir cheveux, vêtements et gants à l'écart des pièces en mouvement.** Les pièces en mouvement peuvent happer les vêtements amples, les bijoux et les cheveux longs.
15. **Si des accessoires sont fournis pour raccorder un appareil d'aspiration et de collecte de la poussière, assurez-vous qu'ils sont correctement raccordés et qu'ils sont utilisés de manière adéquate.** L'utilisation d'un appareil d'aspiration permet de réduire les risques liés à la présence de poussière dans l'air.

#### Utilisation et entretien des outils électriques

16. **Ne forcez pas l'outil électrique. Utilisez l'outil électrique adéquat suivant le type de travail à effectuer.** Si vous utilisez l'outil électrique adéquat et respectez le régime pour lequel il a été conçu, il effectuera un travail de meilleure qualité et de façon plus sécuritaire.
17. **N'utilisez pas l'outil électrique s'il n'est pas possible de mettre sa gâchette en position de marche et d'arrêt.** Un outil électrique dont l'interrupteur est défectueux représente un danger et doit être réparé.
18. **Débranchez la fiche de la source d'alimentation et/ou retirez le bloc-piles de l'outil électrique avant d'effectuer tout réglage, de changer un accessoire ou de ranger l'outil électrique.** De telles mesures préventives réduisent les risques de démarrage accidentel de l'outil électrique.
19. **Après l'utilisation d'un outil électrique, rangez-le hors de portée des enfants et ne laissez aucune personne l'utiliser si elle n'est pas familiarisée avec l'outil électrique ou les présentes instructions d'utilisation.** Les outils électriques représentent un danger entre les mains de personnes qui n'en connaissent pas le mode d'utilisation.
20. **Veillez à l'entretien des outils électriques. Assurez-vous que les pièces mobiles ne sont pas désalignées ou coincées, qu'aucune pièce n'est cassée et que l'outil électrique n'a subi aucun dommage affectant son bon fonctionnement.** Le cas échéant, faites réparer l'outil électrique avant de l'utiliser. De nombreux accidents sont causés par des outils électriques mal entretenus.

21. **Maintenez les outils tranchants bien aiguisés et propres.** Un outil tranchant dont l'entretien est effectué correctement et dont les bords sont bien aiguisés risquera moins de se coincer et sera plus facile à maîtriser.
22. **Utilisez l'outil électrique, ses accessoires, ses embouts, etc., en respectant les présentes instructions, en tenant compte des conditions de travail et du type de travail à effectuer.** L'utilisation d'un outil électrique à des fins autres que celles prévues peut entraîner une situation dangereuse.

#### Utilisation et entretien des outils alimentés par batterie

23. **Pour recharger, utilisez uniquement le chargeur spécifié par le fabricant.** L'utilisation d'un chargeur conçu pour un type donné de bloc-piles comporte un risque d'incendie lorsqu'il est utilisé avec un autre type de bloc-piles.
24. **N'utilisez un outil électrique qu'avec le bloc-piles conçu spécifiquement pour cet outil.** Il y a un risque de blessure ou d'incendie si un autre bloc-piles est utilisé.
25. **Lorsque vous n'utilisez pas le bloc-piles, rangez-le à l'écart des objets métalliques tels que trombones, pièces de monnaie, clés, clous, vis ou autres petits objets métalliques qui risquent d'établir une connexion entre les bornes.** La mise en court-circuit des bornes de batterie peut causer des brûlures ou un incendie.
26. **Dans des conditions d'utilisation inadéquates de la batterie, il peut y avoir fuite d'électrolyte; évitez tout contact avec ce liquide. En cas de contact accidentel, rincez avec beaucoup d'eau. Si le liquide pénètre dans vos yeux, il faut aussi consulter un médecin.** L'électrolyte qui s'échappe de la batterie peut causer des irritations ou des brûlures.

#### Réparation

27. **Faites réparer votre outil électrique par un réparateur qualifié qui utilise des pièces de rechange identiques aux pièces d'origine.** Le maintien de la sûreté de l'outil électrique sera ainsi assuré.
28. **Suivez les instructions de lubrification et de changement des accessoires.**
29. **Maintenez les poignées de l'outil sèches, propres et exemptes d'huile ou de graisse.**

### CONSIGNES DE SÉCURITÉ POUR LE TOURNEVIS SANS FIL

1. **Tenez l'outil par ses surfaces de prise isolées pendant toute opération où l'accessoire de fixation pourrait venir en contact avec un câblage dissimulé.** En cas de contact avec un conducteur sous tension, les pièces métalliques à découvert de l'outil pourraient devenir sous tension et risqueraient de transmettre une décharge électrique à l'utilisateur.
2. **Adoptez toujours une position de travail vous assurant d'un bon équilibre. Assurez-vous qu'il n'y a personne plus bas lorsque vous utilisez l'outil en position élevée.**
3. **Tenez l'outil fermement.**

4. Gardez les mains éloignées des pièces en rotation.
5. Ne touchez ni la fraise, ni la pièce à travailler immédiatement après l'utilisation ; elles peuvent être extrêmement chaudes et vous pourriez vous brûler la peau.

## Tournevis sans fil pour endroits dangereux

### MANUEL D'INSTRUCTIONS IMPORTANTES CONSIGNES DE SÉCURITÉ POUR L'UTILISATION DE CET OUTIL ÉLECTRIQUE DANS LES ENDROITS DANGEREUX

Listé comme suit par Underwriters Laboratories Inc (UL) : UL 1604 Classe 1 Division 2, Endroits (classifiés) dangereux, Groupes A à D, tels que définis par le National Electric Code (NEC).

- Classe 1 Division 2 : endroits exempts, dans des conditions de fonctionnement normal, de gaz, vapeurs ou liquides inflammables dans une concentration telle qu'ils risquent de s'enflammer.
- Groupe A : atmosphère composée d'acétylène ou de gaz ou vapeurs présentant un danger équivalent
- Groupe B : atmosphère composée d'hydrogène ou de gaz ou vapeurs présentant un danger équivalent
- Groupe C : atmosphère composée d'éthylène ou de gaz ou vapeurs présentant un danger équivalent
- Groupe D : atmosphère composée de propane ou de gaz ou vapeurs présentant un danger équivalent

CET APPAREIL EST APPROPRIÉ UNIQUEMENT POUR L'UTILISATION DANS LES ENDROITS DE CLASSE 1, DIVISION 2, GROUPES A, B, C ET D, OU DANS LES ENDROITS SANS DANGER.

**⚠ DANGER : Cet outil ne doit être utilisé qu'en tant que tournevis. Une atmosphère inflammable risque de s'enflammer si l'outil est utilisé de toute autre manière.**

**⚠ MISE EN GARDE : RISQUE D'EXPLOSION – LE REMPLACEMENT DE PIÈCES PEUT RENDRE CE MATÉRIEL INACCEPTABLE POUR LES EMPLACEMENTS DE CLASSE I, DIVISION 2.**

Le chargeur de batterie n'est pas conforme à la classification énoncée (UL1604). Une atmosphère inflammable peut s'enflammer et blesser gravement l'utilisateur si le chargeur de batterie est utilisé dans un endroit dangereux.

N'utilisez pas le chargeur dans les atmosphères explosives, par exemple en présence de liquides, gaz ou poussières inflammables. Les chargeurs produisent des étincelles au contact desquelles la poussière ou les vapeurs peuvent s'enflammer.

### CONSERVEZ CE MODE D'EMPLOI.

**⚠ MISE EN GARDE : NE VOUS LAISSEZ PAS tromper (au fil d'une utilisation répétée) par un sentiment d'aisance ou de familiarité avec le produit en négligeant les consignes de sécurité qui accompagnent le produit. L'utilisation non sécuritaire ou incorrecte de cet outil comporte un risque de blessure grave.**

### CONSIGNES DE SÉCURITÉ IMPORTANTES

#### POUR LA BATTERIE

1. Avant d'utiliser la batterie, lisez toutes les instructions et précautions relatives (1) au chargeur de batterie, (2) à la batterie, et (3) à l'outil utilisant la batterie.
2. Ne démontez pas la batterie.
3. Cessez immédiatement l'utilisation si le temps de fonctionnement devient excessivement court. Il y a risque de surchauffe, de brûlures, voire d'explosion.
4. Si l'électrolyte pénètre dans vos yeux, rincez-les à l'eau claire et consultez immédiatement un médecin. Il y a risque de perte de la vue.
5. Ne court-circuitez pas la batterie :
  - (1) Ne touchez les bornes avec aucun matériau conducteur.
  - (2) Évitez de ranger la batterie dans un conteneur avec d'autres objets métalliques, par exemple des clous, des pièces de monnaie, etc.
  - (3) N'exposez pas la batterie à l'eau ou à la pluie. Un court-circuit de la batterie pourrait provoquer un fort courant, une surchauffe, parfois des brûlures et même une panne.
6. Ne rangez pas l'outil ou la batterie dans des endroits où la température risque d'atteindre ou de dépasser 50°C (122°F).
7. Ne jetez pas la batterie au feu même si elle est sérieusement endommagée ou complètement épuisée. La batterie peut exploser au contact du feu.
8. Prenez garde d'échapper ou de heurter la batterie.
9. N'utilisez pas une batterie tombée ou heurtée.

### CONSERVEZ CE MODE D'EMPLOI.

#### Conseils pour obtenir la durée de service maximale de la batterie

1. Rechargez la batterie avant qu'elle ne soit complètement déchargée. Arrêtez toujours l'outil et rechargez la batterie quand vous remarquez que la puissance de l'outil diminue.

2. **Ne rechargez jamais une batterie complètement chargée.**  
La surcharge réduit la durée de service de la batterie.
3. **Rechargez la batterie à une température ambiante comprise entre 10°C et 40°C (50°F - 104°F).** Si la batterie est chaude, laissez-la refroidir avant de la recharger.
4. **Rechargez la batterie à hydrure métallique de nickel lorsqu'elle reste inutilisée pour plus de six mois.**

## Symboles

Les symboles utilisés pour l'outil sont indiqués ci-dessous.

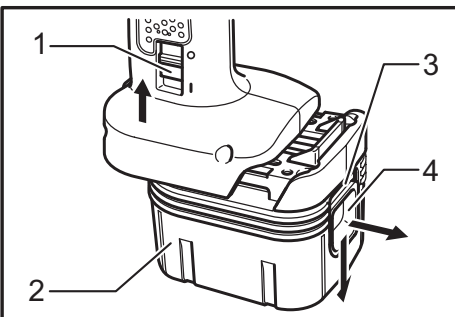
V	volts
— — —	courant continu
n <sub>o</sub>	vitesse à vide
... /min r /min	tours ou alternances par minute

## DESCRIPTION DU FONCTIONNEMENT

### ⚠ ATTENTION :

- Assurez-vous toujours que l'outil est hors tension et que sa batterie est retirée avant de l'ajuster ou de vérifier son fonctionnement.

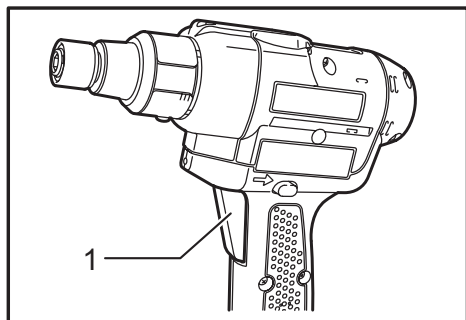
## Installation ou retrait de la batterie



- ▶ 1. Interrupteur d'interverrouillage 2. Batterie  
3. Partie rouge 4. Bouton

- Mettez toujours l'outil hors tension avant d'insérer ou de retirer la batterie.
- Pour retirer la batterie, soulevez l'interrupteur d'interverrouillage et retirez la batterie de l'outil tout en faisant glisser le bouton à situé à l'avant de la batterie. (Note : Il n'est pas possible de retirer la batterie sans soulever l'interrupteur d'interverrouillage.)
- Pour insérer la batterie, alignez sa languette sur l'entaille qui se trouve à l'intérieur du carter, puis glissez la batterie pour la mettre en place. Insérez-la toujours bien à fond, jusqu'à ce qu'elle se verrouille en émettant un léger clic. Si vous pouvez voir la partie rouge de la face supérieure du bouton, la batterie n'est pas parfaitement verrouillée. Insérez-la à fond, jusqu'à ce que la partie rouge ne soit plus visible. Sinon, elle risque de tomber accidentellement de l'outil, en vous blessant ou en blessant une personne se trouvant près de vous.
- Une fois la batterie insérée, abaissez l'interrupteur d'interverrouillage. Lorsque l'interrupteur d'interverrouillage est soulevé, l'outil ne démarre pas même si vous tirez sur la gâchette. (Note : Il est possible d'insérer la batterie même lorsque l'interrupteur d'interverrouillage est abaissé. Ce dernier se soulève automatiquement après l'insertion de la batterie.)
- N'appliquez pas une force excessive lors de l'insertion de la batterie. Si la batterie ne glisse pas aisément, c'est qu'elle n'est pas insérée correctement.

## Interrupteur



► 1. Gâchette

### ⚠ ATTENTION :

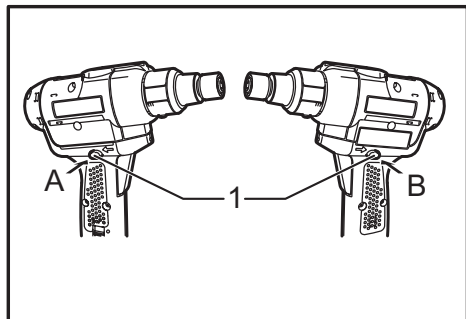
- Avant d'insérer la batterie dans l'outil, vérifiez toujours que la gâchette fonctionne bien et revient en position d'arrêt lorsque relâchée.

Pour faire démarrer l'outil, appuyez simplement sur la gâchette. Pour l'arrêter, relâchez la gâchette.

## Mise hors tension automatique

L'outil s'arrête de lui-même si vous maintenez la pression sur la gâchette pendant trois minutes sans visser ni boulonner. Pour redémarrer l'outil, il faut alors relâcher la gâchette et appuyer dessus de nouveau.

## Inverseur



► 1. Levier inverseur

### ⚠ ATTENTION :

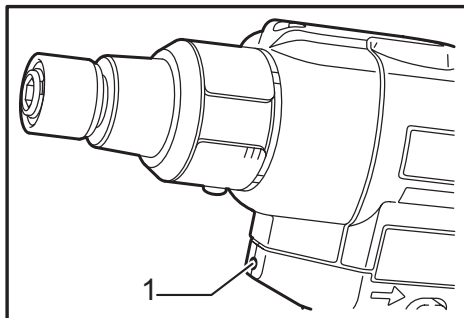
- Vérifiez toujours le sens de rotation avant de mettre l'outil en marche.
- N'actionnez l'inverseur qu'une fois que l'outil est complètement arrêté. Si vous changez le sens de rotation avant l'arrêt de l'outil, vous risquez de l'endommager.
- Lorsque vous n'utilisez pas l'outil, placez toujours le levier inverseur en position neutre.

L'outil possède un inverseur qui permet de changer le sens de rotation. Enfoncez le levier inverseur du côté A pour une rotation dans le sens des aiguilles d'une montre, ou du côté B pour une rotation dans le sens inverse des aiguilles d'une montre.

La pression sur la gâchette n'est pas possible lorsque le levier inverseur se trouve en position neutre.

## Allumage de la lampe avant

### Pour les modèles BFH040F/BFH090F/BFH120F uniquement



► 1. Lampe avant

### ⚠ ATTENTION :

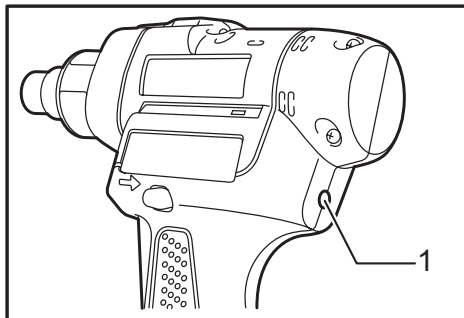
- Evitez de regarder directement le faisceau lumineux ou sa source.

Appuyez sur la gâchette pour allumer la lampe. La lampe demeure allumée tant que la pression sur la gâchette est maintenue. Lorsque vous relâchez la gâchette, la lumière s'éteint au bout de 10 secondes.

### NOTE :

- Utilisez un chiffon sec pour essuyer la saleté qui recouvre la lentille de la lampe. Prenez garde de rayer la lentille de la lampe, pour éviter une diminution de l'éclairage.

## Témoin DEL



► 1. Témoin DEL

Le témoin DEL de l'outil indique les fonctions suivantes.

## Pour les modèles BFH040F/BFH090F/ BFH120F uniquement

De plus, l'avertisseur sonore de l'outil indique les fonctions suivantes.

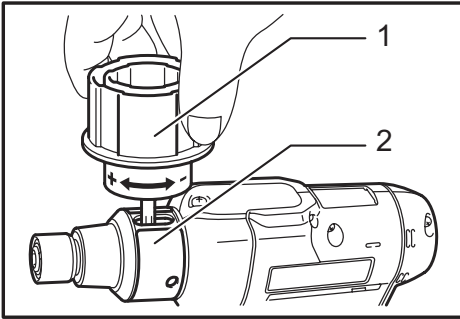
Témoin DEL/avertisseur sonore  
Le témoin DEL/avertisseur sonore de l'outil indique les fonctions suivantes.

Fonction	État	État du témoin DEL / avertisseur sonore		Mesure à prendre
		Témoin DEL	Avertisseur sonore *	
Serrage à arrêt automatique	Cette fonction s'active lorsque l'outil a atteint le couple de serrage pré réglé et que le serrage s'est effectué normalement. Cela permet d'éviter un serrage excessif.	S'allume en vert pendant environ 1 seconde.	—	—
Redémarrage retardé	Pendant environ une (1) seconde après le serrage à arrêt automatique l'outil ne redémarre pas même si vous appuyez sur la gâchette.			
Avertissement de serrage insuffisant	Un serrage insuffisant a été exécuté parce que la gâchette a été relâchée avant que le couple de serrage préétabli n'ait été atteint.	S'allume en rouge.	Long signal sonore	Resserrer la vis
Avertissement de faible charge de la batterie	Indique le temps approprié pour remplacer la batterie lorsqu'elle devient faible.	Clignote lentement en rouge.	Série de longs signaux sonores	Remplacez la batterie par une autre complètement chargée.
Vérification du niveau de charge de la batterie et arrêt automatique.	Cette fonction s'active également lorsque la batterie est presque complètement épuisée. L'outil s'arrête alors immédiatement.	S'allume en rouge.	Long signal sonore	Remplacez la batterie par une autre complètement chargée.
Erreur d'opération sur retrait de la batterie	Cette fonction s'active pour indiquer que vous tentez de retirer la batterie d'une façon incorrecte.	Clignote lentement en vert.	Série de longs signaux sonores.	Relâchez la gâchette, soulevez l'interrupteur d'interverrouillage, puis retirez la batterie.
Vérifiez le bon fonctionnement du témoin DEL, de la lampe avant et de l'avertisseur sonore.	Cette fonction s'active pour vérifier le bon fonctionnement du témoin DEL, de la lampe avant et de l'avertisseur sonore lorsqu'une batterie est insérée dans l'outil et que l'interrupteur d'interverrouillage est abaissé.	S'allume d'abord en vert, puis en rouge (ensuite la lampe avant s'allume*).	Série de très courts signaux sonores	—
Anti-réinitialisation du contrôleur	Cette fonction s'active lors d'une baisse anormale de la tension de la batterie pour une raison quelconque, et l'outil s'arrête.	Clignote alternativement en rouge et en vert.	Série de courts signaux sonores	Remplacez la batterie par une autre complètement chargée
Surchauffe	Cette fonction s'active si la température du contrôleur ou du moteur atteint un niveau élevé, et l'outil s'arrête.	Clignote rapidement en rouge.	Série de courts signaux sonores	Retirez immédiatement la batterie et laissez refroidir l'outil.
Défaillance du moteur	Indique un état anormal du moteur. L'outil ne fonctionne pas.	Clignote alternativement en rouge et en vert.	Série de courts signaux sonores	Informez-vous auprès d'un centre de service après-vente Makita.
Mauvais fonctionnement de l'interrupteur d'interverrouillage	Indique une anomalie sur l'interrupteur d'interverrouillage lorsque la batterie est insérée. L'outil ne fonctionne pas.	Clignote alternativement en rouge et en vert.	Série de courts signaux sonores	Informez-vous auprès d'un centre de service après-vente Makita.

\* Pour les modèles BFH040F/BFH090F/BFH120F uniquement



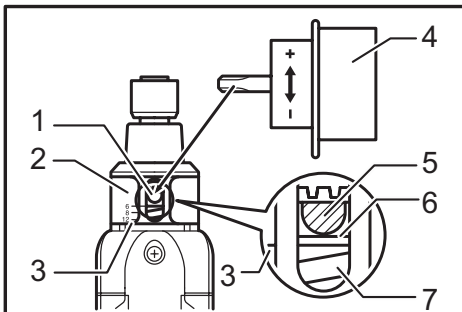
## Réglage du couple de serrage



► 1. Bague de réglage 2. Bague

Pour serrer des vis à machine, des vis à bois, des boulons hexagonaux, etc., avec un couple de serrage donné, procédez au réglage du couple de serrage de la façon suivante.

1. Retirez d'abord la batterie de l'outil.
2. Desserrez puis retirez la vis qui retient l'anneau.
3. Tournez manuellement l'anneau à l'avant de l'outil de sorte que l'orifice soit visible sous l'anneau.
4. Mettez la batterie en place et appuyez sur la gâchette. Relâchez-la de sorte que l'anneau de réglage tourne et devienne visible dans l'orifice. Retirez ensuite la batterie.
5. Utilisez la poignée de réglage en option pour régler le couple de serrage. Insérez la broche de la poignée de réglage dans l'orifice à l'avant de l'outil. Tournez ensuite la poignée de réglage dans le sens des aiguilles d'une montre pour augmenter le couple de serrage, et dans le sens inverse pour le réduire.



► 1. Bague de réglage 2. Bague 3. Échelle 4. Poignée de réglage 5. Orifice pour la poignée de réglage 6. Ligne jaune 7. Ressort de compression

6. Alignez la ligne jaune sur le numéro désiré de l'échelle du couple de serrage.
7. Insérez la batterie et assurez-vous que le couple de serrage est bien réglé, au moyen d'un testeur de couple de serrage.
8. Tournez l'anneau de sorte que l'orifice qui sert au réglage de la poignée soit recouvert, puis tenez l'anneau dans cette position tout en serrant la vis.

### NOTE :

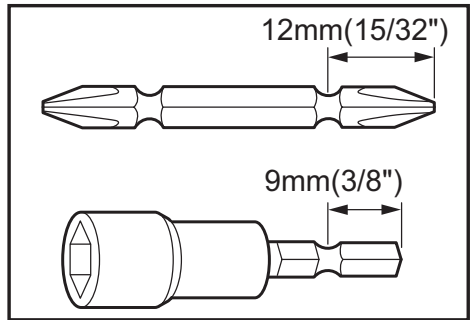
- Les numéros inscrits sur l'échelle du couple de serrage permettent d'effectuer un réglage approximatif sur le couple de serrage désiré.

## ASSEMBLAGE

### ATTENTION :

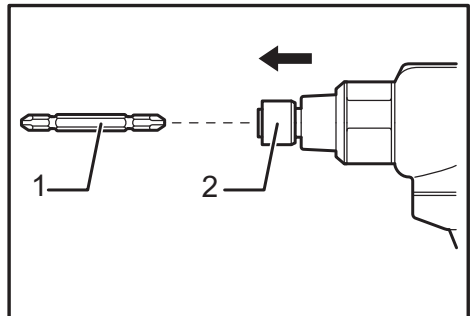
- Assurez-vous toujours que l'outil est hors tension et que sa batterie est retirée avant d'effectuer tout travail dessus.

## Installation ou retrait de l'embout ou l'embout à douille



Utilisez exclusivement l'embout ou l'embout à douille du modèle indiqué sur la figure.

Pour installer l'embout, tirez le manchon dans le sens de la flèche et introduire l'embout dans le manchon jusqu'au fond. Lâchez alors le manchon pour immobiliser l'embout.



► 1. Embout 2. Manchon

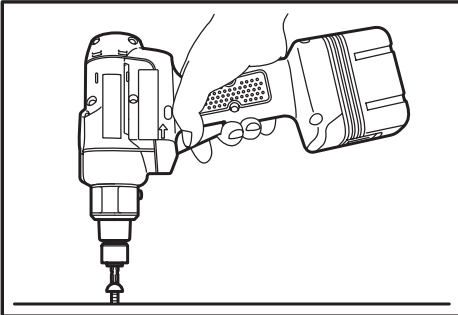
Pour enlever l'embout, tirez le manchon dans la direction de la flèche et tirez fermement l'embout.

### NOTE :

- Si l'embout n'est pas inséré assez profondément dans le manchon, celui-ci ne revient pas à sa position d'origine et l'embout ne se trouve pas bien assuré. En ce cas, insérez à nouveau l'embout comme il est dit ci-dessus.

# UTILISATION

## Vissage



Placez la pointe de l'embout dans la tête de vis et appliquez une pression sur l'outil. Mettez ensuite l'outil sous tension. Lorsque l'embrayage s'active, le moteur s'arrête automatiquement. Relâchez ensuite la gâchette.

### NOTE :

- Assurez-vous que l'embout est inséré bien droit dans la tête de vis, sinon la vis et/ou l'embout risque d'être endommagé.

## ENTRETIEN

### ⚠ ATTENTION :

- Assurez-vous toujours que l'outil est hors tension et que la batterie est retirée avant d'y effectuer tout travail d'inspection ou d'entretien.
- N'utilisez jamais d'essence, de benzine, de solvant, d'alcool ou d'autres produits similaires. Une décoloration, une déformation, ou la formation de fissures peuvent en découler.

Pour maintenir la SÉCURITÉ et la FIABILITÉ du produit, les réparations, travaux d'entretien et autres réglages doivent être effectués dans un centre de service Makita agréé ou un centre de service de Makita, exclusivement avec des pièces de rechange Makita.

## ACCESSOIRES EN OPTION

### ⚠ ATTENTION :

- Ces accessoires ou pièces complémentaires sont recommandés pour l'utilisation avec l'outil Makita spécifié dans ce mode d'emploi. L'utilisation de tout autre accessoire ou pièce complémentaire peut comporter un risque de blessure. N'utilisez les accessoires ou pièces qu'aux fins auxquelles ils ont été conçus.

Si vous désirez obtenir plus de détails concernant ces accessoires, veuillez contacter le centre de service après-vente Makita le plus près.

- Adaptateur de régénération automatique
- Poignée de réglage
- Les divers types de batteries et chargeurs Makita authentiques

### NOTE :

- Certains éléments de la liste peuvent être inclus avec l'outil comme accessoires standard. Ils peuvent varier suivant les pays.

## GARANTIE LIMITÉE D'UN AN MAKITA

### Politique de garantie

Chaque outil Makita est inspecté rigoureusement et testé avant sa sortie d'usine. Nous garantissons qu'il sera exempt de défaut de fabrication et de vice de matériau pour une période d'UN AN à partir de la date de son achat initial. Si un problème quelconque devait survenir au cours de cette période d'un an, veuillez retourner l'outil COMPLET, port payé, à une usine ou à un centre de service après-vente Makita. Makita réparera l'outil gratuitement (ou le remplacera, à sa discrétion) si un défaut de fabrication ou un vice de matériau est découvert lors de l'inspection.

Cette garantie ne s'applique pas dans les cas où :

- des réparations ont été effectuées ou tentées par un tiers;
- des réparations s'imposent suite à une usure normale;
- l'outil a été malmené, mal utilisé ou mal entretenu;
- l'outil a subi des modifications.

MAKITA DÉCLINE TOUTE RESPONSABILITÉ POUR TOUT DOMMAGE ACCESSOIRE OU INDIRECT LIÉ À LA VENTE OU À L'UTILISATION DU PRODUIT. CET AVIS DE NON-RESPONSABILITÉ S'APPLIQUE À LA FOIS PENDANT ET APRÈS LA PÉRIODE COUVERTE PAR CETTE GARANTIE.

MAKITA DÉCLINE TOUTE RESPONSABILITÉ QUANT À TOUTE GARANTIE TACITE, INCLUANT LES GARANTIES TACITES DE "QUALITÉ MARCHANDE" ET "ADÉQUATION À UN USAGE PARTICULIER" APRÈS LA PÉRIODE D'UN AN COUVERTE PAR CETTE GARANTIE.

Cette garantie vous donne des droits spécifiques reconnus par la loi, et possiblement d'autres droits, qui varient d'un État à l'autre. Certains États ne permettant pas l'exclusion ou la limitation des dommages accessoires ou indirects, il se peut que la limitation ou exclusion ci-dessus ne s'applique pas à vous. Certains États ne permettant pas la limitation de la durée d'application d'une garantie tacite, il se peut que la limitation ci-dessus ne s'applique pas à vous.

# GARANTIE LIMITÉE D'UN AN DE MAKITA

## Politique de garantie

Tous les outils Makita sont soigneusement inspectés et mis à l'essai avant de quitter l'usine. Ils sont garantis contre les vices de fabrication et de matériau pour une période d'UN AN suivant la date de l'achat original. Si un problème survient pendant cette période d'un an, retournez l'outil COMPLET, fret payé d'avance, à une usine ou un centre de service après-vente autorisé Makita. S'il ressort de l'inspection que le problème est dû à un vice de fabrication ou de matériau, Makita réparera (ou remplacera, à son gré) l'outil gratuitement. Cette garantie ne s'applique pas dans les cas où :

- des réparations ont été effectuées ou tentées par un tiers;
- des réparations sont nécessaires en raison de l'usure normale;
- l'outil a été malmené, mal utilisé ou non adéquatement entretenu;
- l'outil a subi des modifications.

MAKITA NE SERA EN AUCUN CAS RESPONSABLE DE TOUS DOMMAGES INDIRECTS, ACCESSOIRES OU CONSÉCUTIFS DE LA VENTE OU DE L'UTILISATION DU PRODUIT. CET AVIS DE NON-RESPONSABILITÉ S'APPLIQUE PENDANT ET APRÈS LA PÉRIODE COUVERTE PAR CETTE GARANTIE.

MAKITA DÉCLINE TOUTE RESPONSABILITÉ QUANT À TOUTES GARANTIES IMPLICITES, Y COMPRIS LES GARANTIES DE « QUALITÉ MARCHANDE » OU D'« ADAPTATION À UN USAGE PARTICULIER » APRÈS LA PÉRIODE DE GARANTIE D'UN AN.

Cette garantie vous donne des droits légaux spécifiques, et vous pouvez également avoir d'autres droits qui varient d'une province à l'autre. Certaines provinces n'autorisant pas l'exclusion ou la restriction des dommages accessoires ou consécutifs, il se peut que la restriction ou l'exclusion ci-dessus ne s'applique pas à vous. Certaines provinces n'autorisant pas de restriction quant à la durée des garanties implicites, il se peut que la restriction ci-dessus ne s'applique pas à vous.

# ESPECIFICACIONES

Modelo		BFH040	BFH040F	BFH090	BFH090F	BFH120F
Par de fuerza de apriete		0,8-4,5 N·m (7-40 in·lbs)		3,4-9 N·m (30-80 in·lbs)		5-12 N·m (44-106 in·lbs)
Velocidad sin carga (r.p.m.)		400 r/min				
Dimensiones	Con cartucho de batería BH1220C	190 mm x 250 mm x 71 mm (7-15/32" x 9-7/8" x 2-13/16")				
	Con cartucho de batería BH1220	190 mm x 266 mm x 71 mm (7-15/32" x 10-15/32" x 2-13/16")				
Peso neto	Con cartucho de batería BH1220C	1,4 kg (3,2 lbs)				
	Con cartucho de batería BH1220	1,6 kg (3,4 lbs)				
Tensión nominal		12 V c.c.				
Clasificación de ubicación peligrosa		Clasificación Clase I División 2 para una temperatura ambiente máxima de 50°C				
Cartuchos de batería estándar		BH1220, BH1220C				

- Debido a nuestro programa continuo de investigación y desarrollo, las especificaciones aquí dadas están sujetas a cambios sin previo aviso.
- Las especificaciones y el cartucho de la batería pueden variar de país a país.
- Peso de acuerdo al procedimiento de EPTA-01/2003 incluyendo el cartucho de la batería

## Advertencias de seguridad generales para herramientas eléctricas

**⚠ADVERTENCIA:** lea todas las advertencias de seguridad e instrucciones. Si no sigue todas las advertencias e instrucciones indicadas a continuación, podrá ocasionar una descarga eléctrica, un incendio y/o lesiones graves.

### Guarde todas las advertencias e instrucciones para su futura referencia.

El término "herramienta eléctrica" se refiere, en todas las advertencias que aparecen a continuación, a su herramienta eléctrica de funcionamiento con conexión a la red eléctrica (con cableado eléctrico) o herramienta eléctrica de funcionamiento a batería (inalámbrica).

#### Seguridad en el área de trabajo

1. **Mantenga el área de trabajo limpia y bien iluminada.** Las áreas oscuras o desordenadas son propensas a accidentes.
2. **Mantenga a los niños y curiosos alejados mientras utiliza una herramienta eléctrica.** Las distracciones le pueden hacer perder el control.

#### Seguridad eléctrica

3. **Las clavijas de conexión de las herramientas eléctricas deberán encajar perfectamente en la toma de corriente. No modifique nunca la clavija de conexión de ninguna forma. No utilice ninguna clavija adaptadora con herramientas eléctricas que tengan conexión a tierra (puesta a tierra).** La utilización de clavijas no modificadas y que encajen perfectamente en la toma de corriente reducirá el riesgo de que se produzca una descarga eléctrica.

4. **Evite tocar con el cuerpo superficies conectadas a tierra o puestas a tierra tales como tubos, radiadores, cocinas y refrigeradores.** Si su cuerpo es puesto a tierra o conectado a tierra existirá un mayor riesgo de que sufra una descarga eléctrica.
5. **No exponga las herramientas eléctricas a la lluvia ni a condiciones húmedas.** La entrada de agua en una herramienta eléctrica aumentará el riesgo de que se produzca una descarga eléctrica.
6. **No jale el cable. Nunca utilice el cable para transportar, jalar o desconectar la herramienta eléctrica. Mantenga el cable alejado del calor, aceite, objetos cortantes o piezas móviles.** Los cables dañados o atrapados aumentan el riesgo de sufrir una descarga eléctrica.
7. **Cuando utilice una herramienta eléctrica en exteriores, utilice un cable de extensión apropiado para uso en exteriores.** La utilización de un cable apropiado para uso en exteriores reducirá el riesgo de que se produzca una descarga eléctrica.
8. **Si no es posible evitar usar una herramienta eléctrica en condiciones húmedas, utilice un alimentador protegido con interruptor de circuito de falla en tierra (ICFT).** El uso de un ICFT reduce el riesgo de descarga eléctrica.

#### Seguridad personal

9. **Manténgase alerta, preste atención a lo que está haciendo y utilice su sentido común cuando opere una herramienta eléctrica. No utilice la herramienta eléctrica cuando esté cansado o bajo la influencia de drogas, alcohol o medicamentos.** Un momento de distracción mientras opera la máquina puede dar como resultado heridas personales graves.

10. **Use equipo de protección personal. Póngase siempre protección para los ojos.** El equipo protector tal como máscara contra el polvo, zapatos de seguridad antiderrapantes, casco rígido y protección para oídos utilizado en las condiciones apropiadas reducirá las heridas personales.
  11. **Impida el encendido accidental. Asegúrese de que el interruptor esté en la posición de apagado antes de conectar a la alimentación eléctrica y/o de colocar el cartucho de la batería, así como al levantar o cargar la herramienta.** Cargar las herramientas eléctricas con su dedo en el interruptor o enchufarlas con el interruptor encendido hace que los accidentes sean propensos.
  12. **Retire cualquier llave de ajuste o llave de apriete antes de encender la herramienta.** Una llave de ajuste o llave de apriete que haya sido dejada puesta en una parte giratoria de la herramienta eléctrica podrá resultar en heridas personales.
  13. **No utilice la herramienta donde no alcance. Mantenga los pies sobre suelo firme y el equilibrio en todo momento.** Esto permite un mejor control de la herramienta eléctrica en situaciones inesperadas.
  14. **Use vestimenta apropiada. No use ropas sueltas ni joyas. Mantenga el cabello, la ropa y los guantes alejados de las piezas móviles.** Las prendas de vestir holgadas, las joyas y el cabello suelto podrían engancharse en estas piezas móviles.
  15. **Si dispone de dispositivos para la conexión de equipos de extracción y recolección de polvo, asegúrese de conectarlos y utilizarlos debidamente.** La utilización de estos dispositivos reduce los riesgos relacionados con el polvo.
- Mantenimiento y uso de la herramienta eléctrica**
16. **No fuerce la herramienta eléctrica. Utilice la herramienta eléctrica correcta para su aplicación.** La herramienta eléctrica adecuada hará un trabajo mejor a la velocidad para la que ha sido fabricada.
  17. **No utilice la herramienta eléctrica si el interruptor no la enciende y apaga.** Cualquier herramienta eléctrica que no pueda ser controlada con el interruptor es peligrosa y debe ser reemplazada.
  18. **Desconecte la clavija de la fuente de energía y/o la batería de la herramienta eléctrica antes de realizar ajustes, cambiar accesorios o guardar las herramientas eléctricas.** Dichas medidas de seguridad preventivas reducen el riesgo de que la herramienta se inicie accidentalmente.
  19. **Guarde la herramienta eléctrica que no use fuera del alcance de los niños y no permita que las personas que no están familiarizadas con ella o con las instrucciones la operen.** Las herramientas eléctricas son peligrosas en manos de personas que no saben operarlas.
  20. **Realice el mantenimiento a las herramientas eléctricas. Compruebe que no haya partes móviles desalineadas o estancadas, piezas rotas y cualquier otra condición que pueda afectar al funcionamiento de la herramienta eléctrica.** Si la herramienta eléctrica está dañada, haga que se la reparen antes de utilizarla. Muchos accidentes son ocasionados por herramientas eléctricas con un mal mantenimiento.
  21. **Mantenga las herramientas de corte limpias y filosas.** Si recibe un mantenimiento adecuado y tiene los bordes afilados, es probable que la herramienta se atasque menos y sea más fácil controlarla.
  22. **Utilice la herramienta eléctrica, así como accesorios, piezas, brocas, etc. de acuerdo con estas instrucciones y de la manera establecida para cada tipo de unidad en particular; tenga en cuenta las condiciones laborales y el trabajo a realizar.** Si utiliza la herramienta eléctrica para realizar operaciones distintas de las indicadas, podrá presentarse una situación peligrosa.
- Uso y cuidado de la herramienta a batería**
23. **Realice la recarga sólo con el cargador especificado por el fabricante.** Un cargador que es adecuado para un solo tipo de batería puede generar riesgo de incendio al ser utilizado con otra batería.
  24. **Utilice las herramientas eléctricas solamente con las baterías designadas específicamente para ellas.** La utilización de cualquier otra batería puede crear un riesgo de heridas o incendio.
  25. **Cuando no se esté usando el cartucho de la batería, manténgalo alejado de otros objetos metálicos, como sujetapapeles (clips), monedas, llaves, clavos, tornillos u otros objetos pequeños de metal los cuales pueden actuar creando una conexión entre las terminales de la batería.** Cerrar el circuito de las terminales de la batería puede causar quemaduras o incendios.
  26. **En condiciones de mal uso, podrá escapar líquido de la batería; evite tocarlo. Si lo toca accidentalmente, enjuague con agua. Si hay contacto del líquido con los ojos, acuda por ayuda médica.** Puede que el líquido expulsado de la batería cause irritación o quemaduras.
- Servicio de mantenimiento**
27. **Haga que una persona calificada repare la herramienta utilizando sólo piezas de repuesto idénticas.** Esto asegura que se mantenga la seguridad de la herramienta eléctrica.
  28. **Siga las instrucciones para la lubricación y cambio de accesorios.**
  29. **Mantenga las agarraderas secas, limpias y sin aceite o grasa.**

## ADVERTENCIAS DE SEGURIDAD DEL ATORNILLADOR INALÁMBRICO

1. Sujete la herramienta eléctrica por las superficies de agarre aisladas al realizar una operación en la que el porta útil pueda entrar en contacto con cables ocultos. Si el porta útil entra en contacto con un cable con corriente, las piezas metálicas expuestas de la herramienta eléctrica se cargarán también de corriente y el operario puede recibir una descarga.
2. Asegúrese siempre de que pisa sobre suelo firme.  
Asegúrese de que no haya nadie debajo cuando utilice la herramienta en lugares altos.
3. Sostenga la herramienta con firmeza.
4. Mantenga las manos alejadas de las piezas giratorias.
5. No toque la broca o la pieza de trabajo inmediatamente después de utilizarla; podrían estar muy calientes y producirle quemaduras de piel.

### Destornillador inalámbrico para lugares peligrosos

#### MANUAL DE INSTRUCCIONES INSTRUCCIONES DE SEGURIDAD IMPORTANTES PARA MANEJAR ESTA HERRAMIENTA EN LUGARES PELIGROSOS

Underwriters Laboratories Inc (UL) realizó la siguiente lista: UL 1604 Clase I División 2 Grupo A~D Lugares (clasificados) como peligrosos definidos por el National Electric Code - NEC (Código Nacional de Electricidad).

- Clase I División 2 : donde no sea probable la presencia de concentraciones de gases inflamables a hacer combustión, vapores o líquidos inflamables bajo condiciones operativas normales.
- Grupo A: atmósfera compuesta por sustancias como "acetileno", gases o vapor que impliquen un peligro equivalente
- Grupo B: atmósfera compuesta por sustancias como "hidrógeno", gases o vapor que impliquen un peligro equivalente
- Grupo C: atmósfera compuesta por sustancias como "etileno", gases o vapor que impliquen un peligro equivalente
- Grupo D: atmósfera compuesta por sustancias como "propano", gases o vapor que impliquen un peligro equivalente

ESTE EQUIPO ES APTO PARA SER UTILIZADO SÓLO PARA LA CLASE I, DIVISIÓN 2, GRUPOS A, B, C y D o en lugares no peligrosos.

**⚠ PELIGRO:** Esta herramienta sólo puede ser utilizada como destornillador. El uso de esta herramienta para cualquier otro fin puede ocasionar la ignición de una atmósfera inflamable.

**⚠ ADVERTENCIA:** PELIGRO DE EXPLOSIÓN - LA SUSTITUCIÓN DE COMPONENTES PUEDE REDUCIR LA COMPATIBILIDAD PARA LA CLASE I, DIVISIÓN 2.

El cargador para batería no está en conformidad con los requerimientos de listas establecidas (UL 1604).

El uso del cargador de batería en un lugar peligroso puede producir la ignición de una atmósfera inflamable y ocasionar graves heridas al usuario.

No haga funcionar el cargador en atmósferas que pueden generar explosiones, tales como las que contienen polvo, gases o líquidos inflamables. Los cargadores producen chispas que pueden ocasionar la ignición de polvo o vapores.

### GUARDE ESTAS INSTRUCCIONES.

**⚠ ADVERTENCIA:** NO DEJE que la comodidad o familiaridad con el producto (a base de utilizarlo repetidamente) sustituya la estricta observancia de las normas de seguridad para dicho producto. El MAL USO o el no seguir las normas de seguridad establecidas en este manual de instrucciones puede ocasionar graves lesiones personales.

### INSTRUCCIONES IMPORTANTES DE SEGURIDAD

#### PARA CARTUCHO DE BATERÍA

1. Antes de utilizar el cartucho de batería, lea todas las instrucciones e indicaciones de precaución sobre (1) el cargador de baterías, (2) la batería, y (3) el producto con el que se utiliza la batería.
2. No desarme el cartucho de batería.
3. Si el tiempo de operación se ha acortado en exceso, deje de operar de inmediato. Podría correrse el riesgo de sobrecalentamiento, posibles quemaduras e incluso explosión.
4. En caso de que ingresen electrolitos en sus ojos, enjuáguelos bien con agua limpia y consulte de inmediato a un médico. Podría perder la visión.
5. No cortocircuite el cartucho de batería:
  - (1) No toque las terminales con ningún material conductor.
  - (2) Evite guardar el cartucho de batería en un cajón junto con otros objetos metálicos, tales como clavos, monedas, etc.
  - (3) No exponga la batería al agua o a la lluvia. Si la batería entra en cortocircuito, puede causar sobrecalentamiento, un flujo de corriente mayor, quemaduras posibles e incluso una falla.

6. No guarde la herramienta ni el cartucho de batería en lugares donde la temperatura pueda alcanzar o exceder los 50°C (122°F).
7. Nunca incinere el cartucho de batería incluso en el caso de que esté dañado seriamente o ya no sirva en absoluto. El cartucho de batería puede explotar si se tira al fuego.
8. Tenga cuidado de no dejar caer ni golpear el cartucho de batería.
9. No use una batería que se haya caído al suelo o que se haya golpeado.

## GUARDE ESTAS INSTRUCCIONES.

### Consejos para alargar al máximo la vida útil de la batería

1. Cargue el cartucho de batería antes de que se descargue completamente. Pare siempre la operación y cargue el cartucho de batería cuando note menos potencia en la herramienta.
2. No cargue nunca un cartucho de batería que esté completamente cargado. La sobrecarga acortará la vida de servicio de la batería.
3. Cargue el cartucho de batería a temperatura ambiente de 10°C - 40°C (50°F - 104°F). Si un cartucho de batería está caliente, déjelo enfriar antes de cargarlo.
4. Cargue el cartucho de batería de hidruro metálico de níquel cuando no lo utilice durante más de seis meses.

## Símbolos

A continuación se muestran los símbolos utilizados para la herramienta.

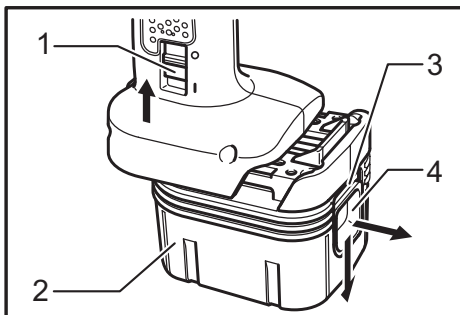
V	volts o voltios
— — —	corriente directa o continua
n <sub>o</sub>	velocidad en vacío o sin carga
... /min r/min	revoluciones o alternaciones por minuto, frecuencia de rotación

## DESCRIPCIÓN DEL FUNCIONAMIENTO

### PRECAUCIÓN:

- Asegúrese siempre de que la herramienta esté apagada y el cartucho de batería extraído antes de realizar cualquier ajuste o comprobación en la herramienta.

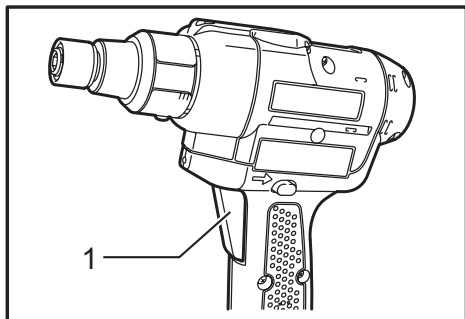
### Instalación o desmontaje del cartucho de batería



- 1. Interruptor de interbloqueo 2. Cartucho de batería 3. Parte roja 4. Botón

- Apague siempre la herramienta antes de insertar o desmontar el cartucho de batería.
- Para quitar la batería, levante el interruptor de enclavamiento y extráigalo de la herramienta deslizando el botón que se encuentra en la parte frontal de la batería. (Nota: La batería no se puede quitar sin antes levantar el interruptor de enclavamiento.)
- Para colocar la batería, alinee la lengüeta de la batería con la canaleta de la carcasa y colóquela en su lugar. Asegúrese siempre de que está insertando la batería hasta el final, en donde hace tope y emite un pequeño chasquido. Si todavía puede ver la parte roja en la parte de arriba del botón, significa que no está completamente trabada. Empújela suavemente hacia adentro hasta que no pueda ver la parte roja. Si esto no sucede, puede que accidentalmente se caiga de la herramienta ocasionando daños personales a usted o a terceros.
- Baje el interruptor de enclavamiento luego de insertar la batería. Aunque se oprima el gatillo interruptor con el interruptor de enclavamiento levantado, la herramienta no se activará. (Nota: La batería se puede insertar aunque se haya bajado el interruptor de enclavamiento. Una vez insertada la batería, el interruptor de enclavamiento se levantará en forma automática.)
- No emplee fuerza cuando inserte el cartucho de batería. Si el cartucho no se desliza al interior fácilmente, será porque no se está insertando correctamente.

## Accionamiento del interruptor



► 1. Gatillo interruptor

### **PRECAUCIÓN:**

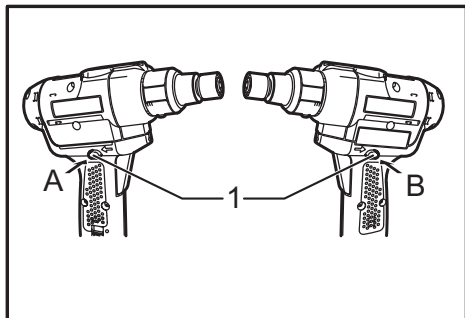
- Antes de insertar el cartucho de batería en la herramienta, compruebe siempre y cerciórese de que el gatillo interruptor se acciona debidamente y que vuelve a la posición "OFF"(apagado) cuando lo suelta.

Para comenzar a utilizar la herramienta, simplemente presione el gatillo interruptor. Suéltelo para detenerla.

## Apagado automático

Si presiona el gatillo interruptor y lo mantiene así durante tres minutos sin quitar tornillos ni pernos de ajuste, la herramienta se detiene en forma automática. Para volver a activar la herramienta, suelte el gatillo interruptor y luego presiónelo nuevamente.

## Accionamiento del conmutador de inversión de giro



► 1. Palanca del conmutador de inversión de giro

### **PRECAUCIÓN:**

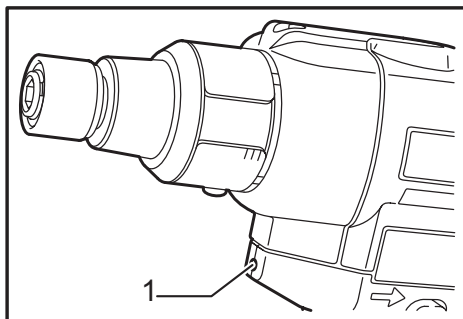
- Confirme siempre la dirección de giro antes de la operación.
- Utilice el conmutador de inversión solamente después de que la herramienta haya parado completamente. Si cambia la dirección de giro antes de que la herramienta haya parado podrá dañarla.
- Cuando no esté utilizando la herramienta, ponga siempre la palanca del conmutador de inversión en la posición neutral.

Esta herramienta tiene un conmutador de inversión para cambiar la dirección de giro. Presione hacia dentro la palanca del conmutador de inversión del lado A para giro hacia la derecha o del lado B para giro hacia la izquierda.

Cuando la palanca del conmutador de inversión esté en la posición neutral, no se podrá apretar el gatillo interruptor.

## Iluminación de la lámpara delantera

### Sólo para los modelos BFH040F / BFH090F / BFH120F



► 1. Lámpara frontal

### **PRECAUCIÓN:**

- No mire a la luz ni vea la fuente de luz directamente.

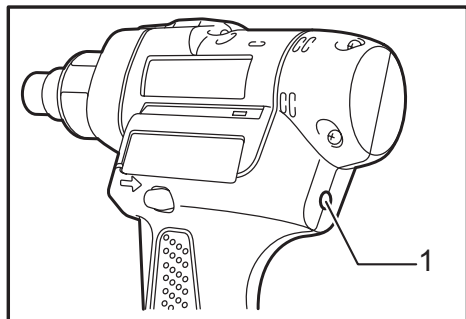
Apriete el gatillo para encender la lámpara. La lámpara se mantiene encendida mientras se esté presionando el gatillo. La lámpara se apagará en forma automática 10 segundos después de soltar el gatillo.

### **NOTA:**

- Utilice un paño seco para quitar la suciedad de la lente de la lámpara. Tenga cuidado de no rayar la lente de la lámpara, porque podrá disminuir la iluminación.



## Indicador lumínico LED



- ▶ 1. Luz indicadora (LED)

El indicador lumínico de la herramienta muestra las siguientes funciones.

## Sólo para los modelos BFH040F / BFH090F / BFH120F

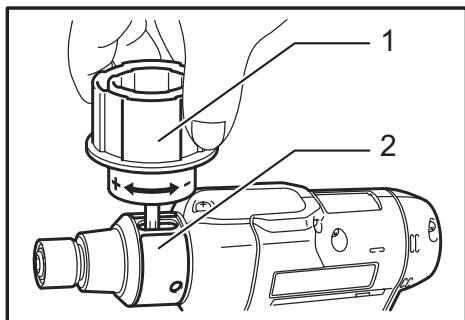
Además, el indicador sonoro de la herramienta muestra las siguientes funciones.

Luz indicadora (LED) / indicador sonoro (bíper)  
Luz indicadora (LED)/ indicador sonoro (bíper) en la herramienta que indica las siguientes funciones.

Función	Estado	Estado de la luz indicadora (LED) y del indicador sonoro		Acción a tomar
		Luz indicadora (LED)	Indicador sonoro (bíper)*	
Selección de detención automática	Esta función trabaja cuando la herramienta llega a la fuerza de torsión (torque) establecida y completa el ajuste normal. Esta función evita que se ajuste demasiado el tornillo.	Se enciende la luz verde por un lapso aproximado de un segundo.	—	—
Reinicio demorado	Por espacio de un segundo aproximadamente luego de la detención automática de la herramienta, ésta no se inicia aunque se esté apretando el gatillo del interruptor.	Se enciende la luz roja.	Un sonido largo	Volver a ajustar el tornillo
Alerta contra un ajuste defectuoso	Se realiza un ajuste defectuoso cuando se suelta el interruptor del gatillo antes de llegar a la fijación de torsión preestablecida.	Destello lento de la luz roja.	Una serie de sonidos largos	Reemplazar la batería por otra con carga
Alerta de batería descargada	Esta función indica en qué momento es adecuado reemplazar la batería cuando la carga disminuye.	Se enciende la luz roja.	Un sonido largo	Reemplazar la batería por otra con carga
Verificación de la capacidad de batería restante, autodetenible.	Esta función indica que la carga de la batería está prácticamente agotada. La herramienta se detiene automáticamente.	Parpadeo lento de luz verde.	Una serie de pitidos largos.	Suelta el gatillo interruptor, eleve el interruptor de interbloqueo y retire el cartucho de la batería.
Error de operación al extraer el cartucho de la batería	Esta función se ocupa de indicar que se está intentando extraer la batería de forma incorrecta.	Se enciende primero en verde, luego en rojo (y luego la luz indicadora delantera permanece encendida*).	Una serie de sonidos muy cortos	—
Verificar el funcionamiento de la luz indicadora (LED), luz indicadora delantera e indicador sonoro (bíper)	Esta función se ocupa de verificar que la luz indicadora (LED), así como la luz indicadora delantera y el indicador sonoro (bíper) funcionen correctamente al insertar la batería en la herramienta y el interruptor de interbloqueo se encuentra en la posición baja.	Destellan la luz roja y verde en forma alternada.	Una serie de sonidos cortos	Reemplazar la batería por otra con carga
Controlador antirrestauración	Esta función permite que cuando, por cualquier motivo, haya un descenso anormal del voltaje de la batería la herramienta se detenga.	Rápidos destellos de la luz roja	Una serie de sonidos cortos	Quitar la batería inmediatamente y dejar enfriar la herramienta.
Sobrecalentamiento	Esta función se activa si la temperatura del controlador o motor sube a un nivel elevado y la herramienta se detiene.	Destellan la luz roja y verde en forma alternada.	Una serie de sonidos cortos	Consulte con los centros de servicio de Makita.
Funcionamiento defectuoso del motor	Esto indica la condición de anomalía del motor. La herramienta no opera.	Destellan la luz roja y verde en forma alternada.	Una serie de pitidos cortos	Consulte con los centros de servicio de Makita.
Funcionamiento defectuoso del interruptor de interbloqueo	Esto indica anomalía del interruptor de interbloqueo al insertar el cartucho de la batería. La herramienta no funciona.	Destellan la luz roja y verde en forma alternada.	Una serie de pitidos cortos	Consulte con los centros de servicio de Makita.

\* Sólo para los modelos BFH040F/BFH090F/BFH120F

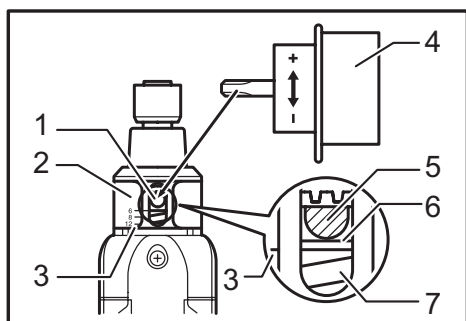
## Ajuste de la torsión de fijación



► 1. Anillo de ajuste 2. Anillo

Cuando desea ajustar tornillos de metal, de madera, tuercas, etc. con un torque predeterminado, seleccione el torque de la siguiente manera.

1. Primero quite la batería de la herramienta.
2. Afloje y quite el tornillo que asegura el anillo.
3. Gire el anillo del frente de la herramienta a mano para que se abra el agujero debajo de éste.
4. Coloque la batería en su lugar y apriete el gatillo. Suéltelo para que el anillo de ajuste rote y se vea desde el agujero. Luego quite la batería.
5. Utilice una llave de ajuste opcional para ajustar el selector de torque. Inserte la punta de la llave de ajuste en el agujero del frente de la herramienta. Y luego gire la llave en sentido horario para seleccionar un torque mayor, en sentido contrario para desajustar el torque.



► 1. Anillo de ajuste 2. Anillo 3. Escala 4. Empuñadura de ajuste 5. Orificio para empuñadura de ajuste 6. Línea amarilla 7. Resorte de compresión

6. Alinee la línea amarilla con el número deseado en la escala de ajuste de torque.
7. Inserte la batería y asegúrese de que se ha seleccionado el torque indicado mediante un medidor de torque.
8. Gire el anillo de manera que el agujero para la llave de ajuste quede tapado, sosténgalo y luego asegúrelo con el tornillo.

### NOTA:

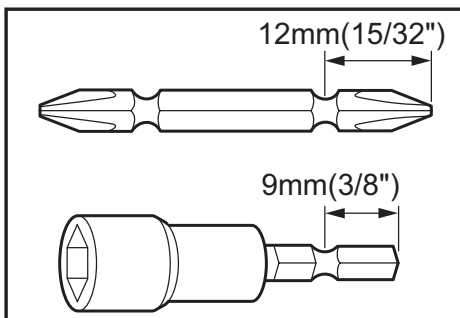
- Los números que se encuentran en la escala de ajuste de torque son una guía que le servirá para seleccionar el torque deseado.

## ENSAMBLE

### ⚠PRECAUCIÓN:

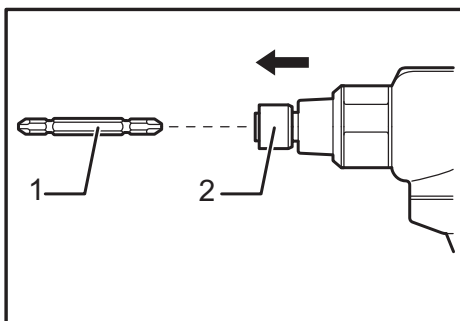
- Asegúrese siempre de que la herramienta esté apagada y el cartucho de batería extraído antes de realizar cualquier trabajo en la misma.

### Instalar o quitar las puntas para atornillar



Utilice solamente las puntas para atornillar que se muestran en la figura. No utilice ninguna otra más que la indicada. Para instalar la punta de atornillar, tire del mandril en la dirección que indica la flecha e insértela dentro del mandril hasta que haga tope. Luego suelte el mandril para asegurar la punta.

Para instalar la punta de atornillar, inserte la punta en el mandril hasta donde sea posible. Para quitarla, tire del mandril en la dirección que indica la flecha y luego de la punta con firmeza.



► 1. Punta de atornillar 2. Base de mandril

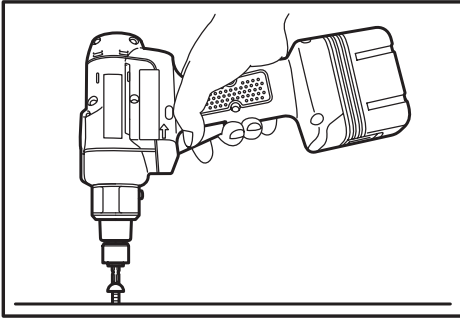
Para quitar la punta de atornillar, tire del mandril en la dirección que indica la flecha y tire de la punta con firmeza.

### NOTA:

- Si la punta de atornillar no ha sido insertada en el mandril hasta el fondo, éste no volverá a su posición original y no quedará asegurada la punta. En este caso pruebe volver a insertar la punta de acuerdo con las indicaciones dadas.

# OPERACIÓN

## Operación de atornillado



Coloque la punta en la cabeza del tornillo y presione con la herramienta. Luego encienda la herramienta. Cuando se suelte el embrague, el motor se detendrá automáticamente. Suelte el gatillo.

### NOTA:

- Asegúrese de que la punta de atornillar esté insertada en línea recta en la cabeza del tornillo, o de lo contrario podrá dañar el tornillo y/o la punta de atornillar.

# MANTENIMIENTO

### **⚠PRECAUCIÓN:**

- Asegúrese siempre de que la herramienta esté apagada y el cartucho de batería extraído antes de intentar realizar una inspección o mantenimiento.
- Nunca use gasolina, bencina, diluyente (tíner), alcohol o sustancias similares. Puede que esto ocasione grietas o descoloramiento.

A fin de conservar la **SEGURIDAD** y **CONFIABILIDAD** del producto, las reparaciones y toda tarea de mantenimiento o ajuste deben ser realizados por los Centros de servicio autorizados Makita, siempre utilizando piezas Makita.

# ACCESORIOS OPCIONALES

### **⚠PRECAUCIÓN:**

- Estos accesorios o aditamentos (incluidos o no) están recomendados para utilizar con su herramienta Makita especificada en este manual. El empleo de cualesquiera otros accesorios o acoplamientos conllevará un riesgo de sufrir heridas personales. Utilice los accesorios o acoplamientos solamente para su fin establecido.

Si necesita cualquier ayuda para más detalles en relación con estos accesorios, pregunte a su centro de servicio Makita local.

- Adaptador de renovación automática de carga
- Llave de ajuste
- Diferentes tipos de baterías y cargadores genuinos de Makita

### NOTA:

- Algunos de los artículos en la lista puede que vengan junto con el paquete de la herramienta como accesorios incluidos. Puede que estos accesorios varíen de país a país.

## GARANTÍA LIMITADA MAKITA DE UN AÑO

### Ésta Garantía no aplica para México

#### Política de garantía

Cada herramienta Makita es inspeccionada y probada exhaustivamente antes de salir de fábrica. Se garantiza que va a estar libre de defectos de mano de obra y materiales por el periodo de UN AÑO a partir de la fecha de adquisición original. Si durante este periodo de un año se desarrollase algún problema, retorne la herramienta COMPLETA, porte pagado con antelación, a una de las fábricas o centros de servicio autorizados Makita. Si la inspección muestra que el problema ha sido causado por mano de obra o material defectuoso, Makita la reparará (o a nuestra opción, reemplazará) sin cobrar.

Esta garantía no será aplicable cuando:

- se hayan hecho o intentado hacer reparaciones por otros;
- se requieran reparaciones debido al desgaste normal;
- la herramienta haya sido abusada, mal usada o mantenido indebidamente;
- se hayan hecho alteraciones a la herramienta.

EN NINGÚN CASO MAKITA SE HARÁ RESPONSABLE DE NINGÚN DAÑO INDIRECTO, FORTUITO O CONSECUENCIAL DERIVADO DE LA VENTA O USO DEL PRODUCTO.

ESTA RENUNCIA SERÁ APLICABLE TANTO DURANTE COMO DESPUÉS DEL TÉRMINO DE ESTA GARANTÍA.

MAKITA RENUNCIA LA RESPONSABILIDAD POR CUALQUIER GARANTÍA IMPLÍCITA, INCLUYENDO GARANTÍAS IMPLÍCITAS DE "COMERCIALIDAD" E "IDONEIDAD PARA UN FIN ESPECÍFICO", DESPUÉS DEL TÉRMINO DE UN AÑO DE ESTA GARANTÍA.

Esta garantía le concede a usted derechos legales específicos, y usted podrá tener también otros derechos que varían de un estado a otro. Algunos estados no permiten la exclusión o limitación de daños fortuitos o consecuenciales, por lo que es posible que la antedicha limitación o exclusión no le sea de aplicación a usted. Algunos estados no permiten limitación sobre la duración de una garantía implícita, por lo que es posible que la antedicha limitación no le sea de aplicación a usted.

## **GARANTÍA LIMITADA DE UN AÑO DE MAKITA**

### **Ésta Garantía no aplica para México Política de garantía**

Cada herramienta Makita es inspeccionada y probada exhaustivamente antes de salir de la fábrica. Se garantiza que está libre de defectos de mano de obra y materiales por el período de UN AÑO a partir de la fecha original de compra. Si durante este período de un año se desarrollara algún problema, devuelva la herramienta COMPLETA, con el envío prepagado, a un centro de servicio autorizado o de fábrica Makita. Si la inspección muestra que el problema ha sido a causa de un defecto de mano de obra o material, Makita hará la reparación (o a su discreción, el reemplazo) sin ningún cargo. Esta garantía no aplica cuando:

- las reparaciones se hayan hecho o intentado hacer por otros;
- se requieran reparaciones debido al desgaste normal;
- la herramienta haya sido maltratada, recibido un mal uso o haya recibido un mantenimiento inapropiado;
- se hayan hecho modificaciones a la herramienta.

EN NINGÚN CASO MAKITA SE HARÁ RESPONSABLE DE NINGÚN DAÑO INDIRECTO, INCIDENTAL, O DERIVADO DE LA VENTA O USO DEL PRODUCTO. ESTE DESCARGO DE RESPONSABILIDAD APLICA DURANTE Y DESPUÉS DEL PLAZO DE ESTA GARANTÍA. MAKITA RENUNCIA A LA RESPONSABILIDAD POR CUALQUIER GARANTÍA IMPLÍCITA, INCLUYENDO GARANTÍAS DE "COMERCIABILIDAD" Y "ADECUACIÓN PARA UN PROPÓSITO ESPECÍFICO", DESPUÉS DEL PLAZO DE UN AÑO DE ESTA GARANTÍA.

Esta garantía le concede derechos legales específicos y usted podrá tener también otros derechos que varían de un estado a otro. Algunos estados no permiten la exclusión o limitación de daños incidentales o consecuentes, por lo que la limitación o exclusión arriba mencionada podría no aplicar para usted. Algunos estados no permiten la limitación sobre la duración de una garantía implícita, por lo que la limitación arriba mencionada podría no aplicar para usted.





< USA only >

# WARNING

Some dust created by power sanding, sawing, grinding, drilling, and other construction activities contains chemicals known to the State of California to cause cancer, birth defects or other reproductive harm. Some examples of these chemicals are:

- lead from lead-based paints,
- crystalline silica from bricks and cement and other masonry products, and
- arsenic and chromium from chemically-treated lumber.

Your risk from these exposures varies, depending on how often you do this type of work. To reduce your exposure to these chemicals: work in a well ventilated area, and work with approved safety equipment, such as those dust masks that are specially designed to filter out microscopic particles.

< Sólo en los Estados Unidos >

# ADVERTENCIA

Algunos polvos creados por el lijado, aserrado, esmerilado, taladrado y otras actividades de la construcción contienen sustancias químicas reconocidas por el Estado de California como causantes de cáncer, defectos de nacimiento y otros peligros de reproducción. Algunos ejemplos de estos productos químicos son:

- plomo de pinturas a base de plomo,
- sílice cristalino de ladrillos y cemento y otros productos de albañilería, y
- arsénico y cromo de maderas tratadas químicamente.

El riesgo al que se expone varía, dependiendo de la frecuencia con la que realice este tipo de trabajo. Para reducir la exposición a estos productos químicos: trabaje en un área bien ventilada y póngase el equipo de seguridad indicado, tal como las máscaras contra polvo que están especialmente diseñadas para filtrar partículas microscópicas.

**Makita Corporation**

3-11-8, Sumiyoshi-cho,  
Anjo, Aichi 446-8502 Japan

[www.makita.com](http://www.makita.com)

884497C946  
BFH040-1  
EN, FRCA, ESMX  
20170324